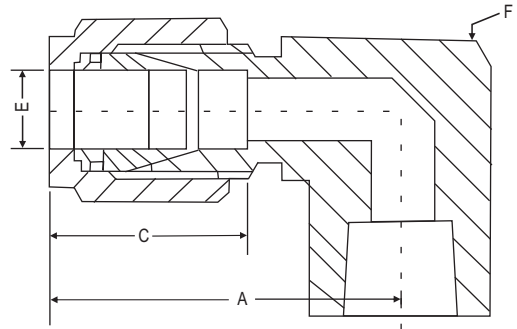



Dimensional Details :

Notes : Drawings are not to scale

Dimensional Details :
Dimension, in.

Tube OD	NPT Female Thread Size	Part Number	A	C	E	F
1/8	1/8	S2FE2N	0.97	0.50	0.09	1/2
1/8	1/4	S2FE4N	1.08	0.50	0.09	11/16
1/4	1/8	S4FE2N	1.06	0.60	0.19	1/2
1/4	1/4	S4FE4N	1.17	0.60	0.19	11/16
1/4	3/8	S4FE6N	1.25	0.60	0.19	13/16
1/4	1/2	S4FE8N	1.36	0.60	0.19	1
3/8	1/4	S6FE4N	1.23	0.66	0.28	11/16
3/8	3/8	S6FE8N	1.31	0.60	0.19	1
1/2	1/4	S8FE4N	1.42	0.90	0.41	13/16
1/2	3/8	S8FE6N	1.42	0.90	0.41	13/16
1/2	1/2	S8FE8N	1.53	0.90	0.41	1
3/4	1/2	S12FE8N	1.57	0.96	0.62	1 1/16
3/4	3/4	S12FE12N	1.76	0.96	0.62	1 3/8
1	3/4	S16FE12N	1.93	1.23	0.88	1 3/8
1	1	S16FE16N	2.11	1.23	0.88	1 11/16

Dimension, mm.

Tube OD	NPT Female Thread Size	Part Number	A	C	E	F in
6	1/8	SM6FE2N	27.0	15.3	4.8	1/2
6	1/4	SM6FE4N	29.8	15.3	4.8	11/16
6	1/2	SM6FE8N	34.6	15.3	4.8	1
8	1/4	SM8FE4N	30.6	16.2	6.4	11/16
10	1/8	SM10FE2N	31.5	17.2	7.9	11/16
10	1/4	SM10FE4N	33.5	17.2	7.9	13/16
12	1/4	SM12FE4N	36.0	22.8	9.5	13/16
12	1/2	SM12FE8N	38.8	22.8	9.5	1
16	1/2	SM16FE8N	39.5	24.4	12.7	1 1/16

Dimensions and specifications shown are approximate, may vary from time to time.

- Note :**
1. A and C dimensions are typical finger-tight
 2. Other Threading available on request